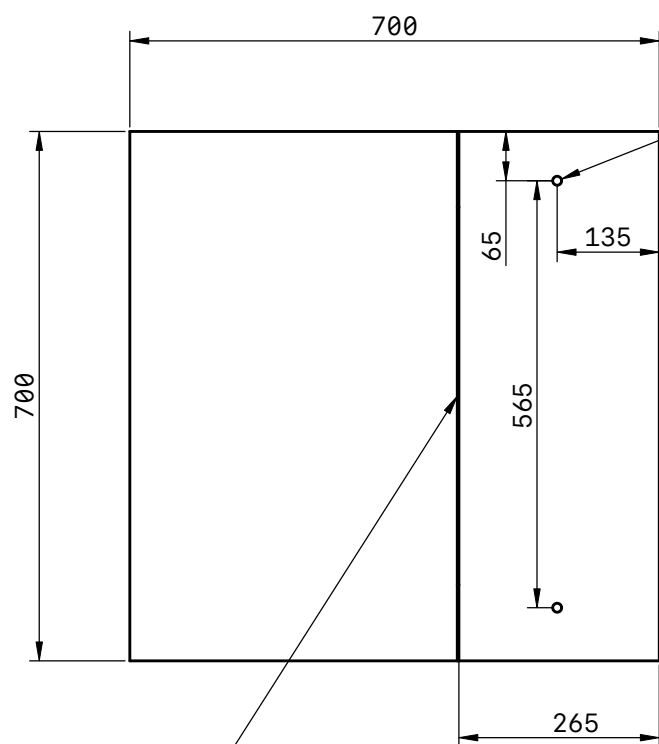
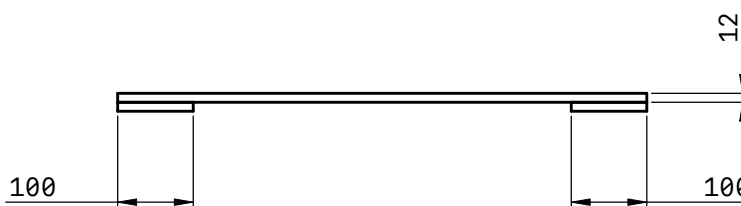


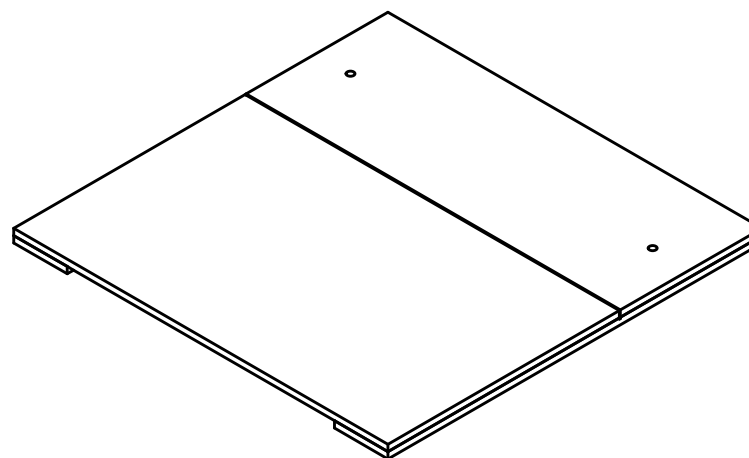
BASE WITHOUT FENCE

THESE PLANS SHOW THE DIMENSIONS - WATCH THE VIDEO ON MY YOUTUBE CHANNEL FOR INSTRUCTIONS

12mm OR 1/2" PLYWOOD FOR BASE AND CROSS PIECES

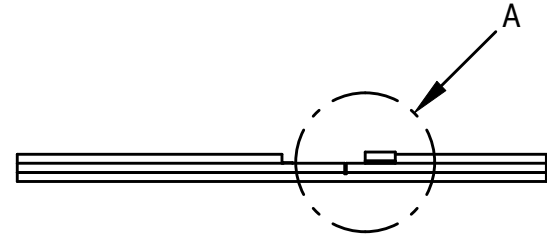


T NUTS FOR STAR KNOBS

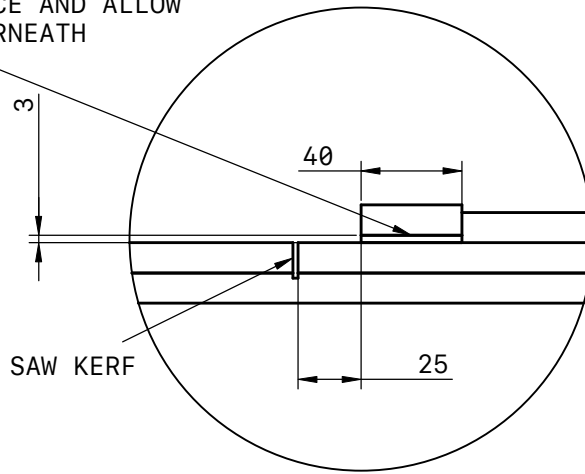


SAW KERF
MADE AFTER THE JIG IS COMPLETED

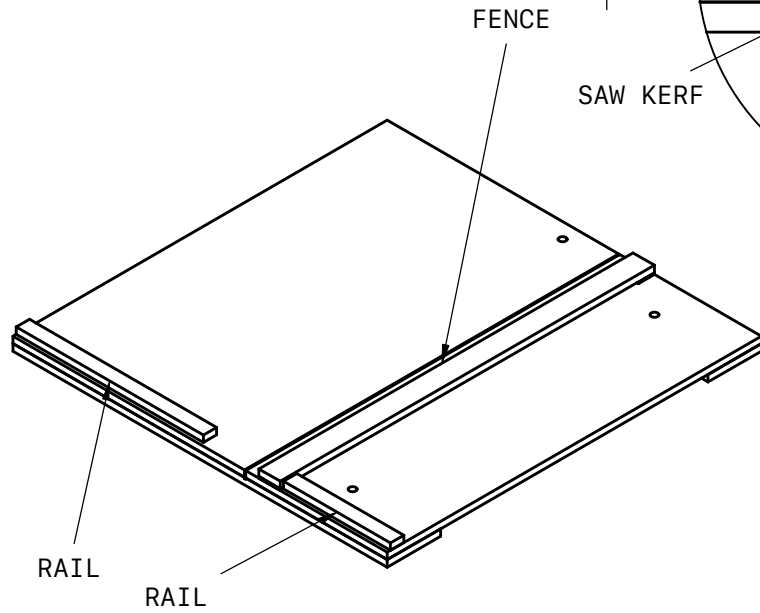
FENCE AND RAILS



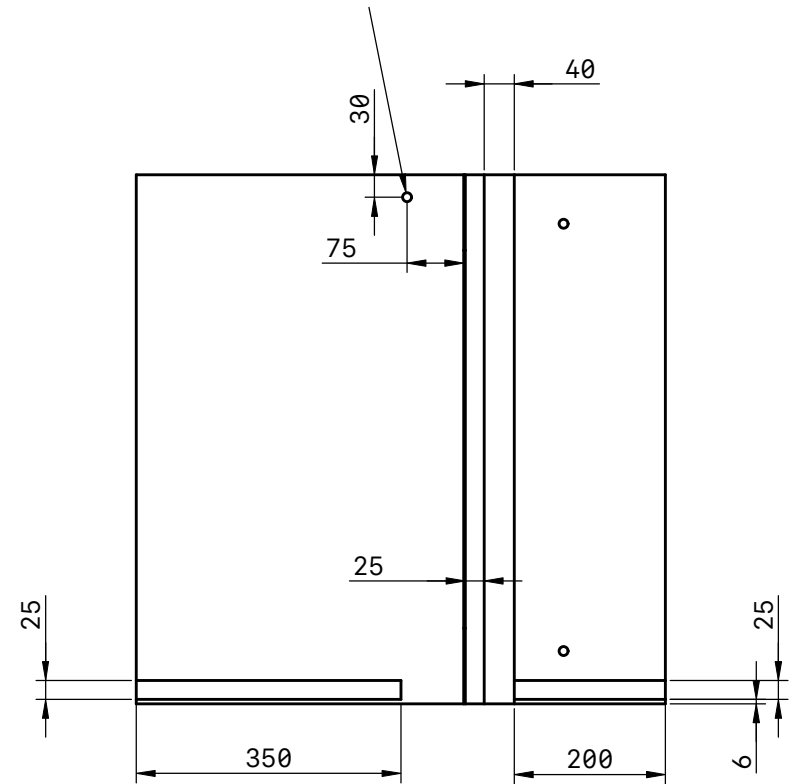
3mm SPACER TO RAISE THE FENCE AND ALLOW THE WORKPIECE TO SLIDE UNDERNEATH



A
SCALE 1:3

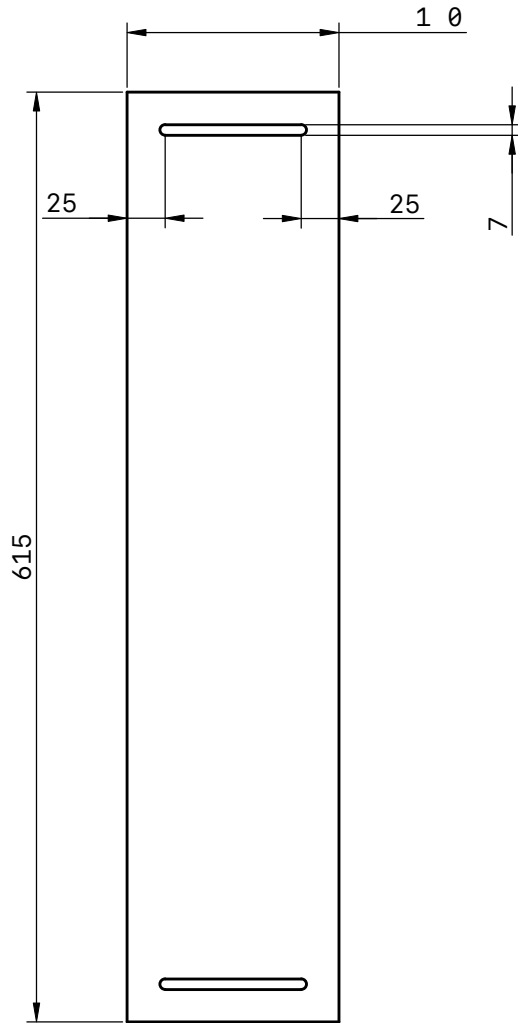


SCREW TO ACT AS A STOP

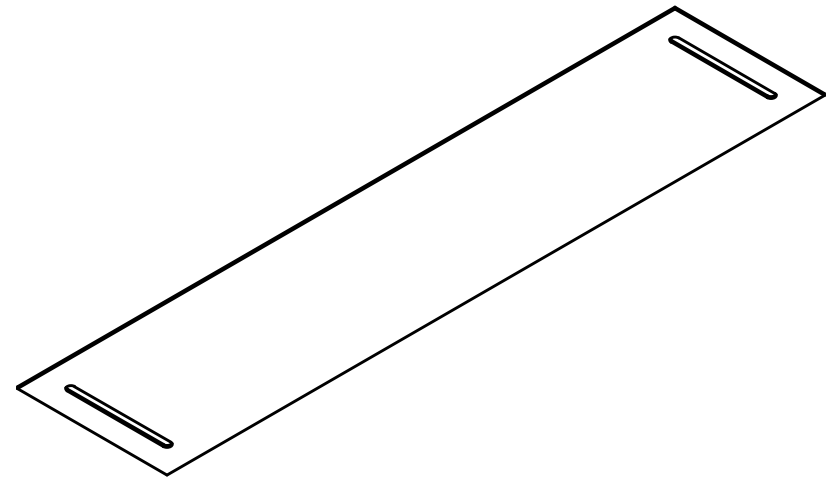


MOVEABLE FENCE FOR B0 MARGINS
SECURED WITH 2 STAR KNOBS AND T NUTS

1 6mm OR 16 STEEL



SCALE 1 5



SCALE 1 5